

**INDIAN SCHOOL MUSCAT  
PRIMARY SECTION**

<b>Subject: SCIENCE</b>	<b>Semester II</b>	<b>Name:</b>
<b>Topic : Our Universe</b>	<b>Worksheet No. 4</b>	<b>Std : IV      Sec.____</b>
<b>Resource Person: Ms. Smitha Rajesh</b>		<b>Roll No.____</b>
<b>Teacher's Signature:</b>		<b>Date:</b>

**I. Who am I?**

- 1. I am also known as red planet. I have two moons . \_\_\_\_\_**
- 2. I am the largest planet. I have a big red spot . \_\_\_\_\_**
- 3. I am the hottest planet. I am also known as the morning star. \_\_\_\_\_**
- 4. I am the second largest planet. I have a system of rings. \_\_\_\_\_**

**II. Differentiate between rotation and revolution .**

ROTATION	REVOLUTION

**III . Think and Answer.**

- 1. What would have happened if the earth was stationary?**

---

---

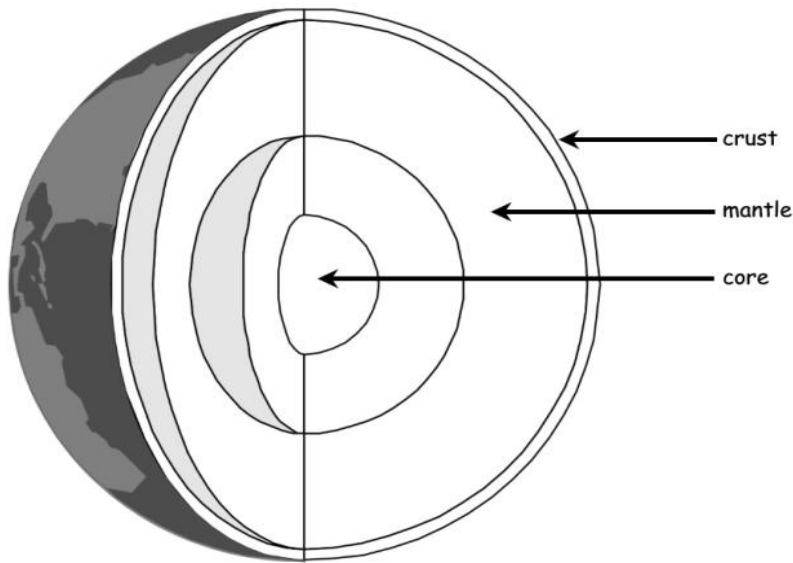
---

---

---

---

**IV. Look at the picture and answer the questions given below.**



**a. Identify the picture.** \_\_\_\_\_

**b. Name the layers of the earth given in the picture.**

---

---

**c. What is crust? Why is it suitable for life?**

---

---

---

**V. Life Skills.**

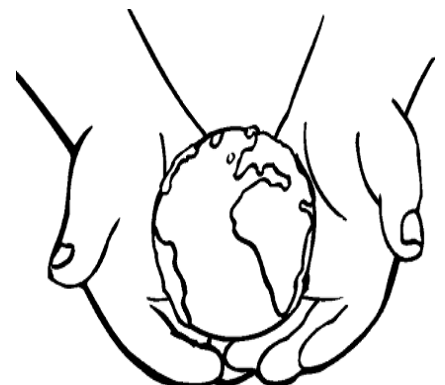
**“ Earth is the only planet where life exists”.What can you do as a student to ensure that our earth is a better place to live in? Give 3 points.**

---

---

---

---



**Take Care of the Earth**